

Cache County

F  **IR** **AND** **R**  **ODEO** 
QUEEN CONTEST

MAY 27, 2023

Modeling and Speeches: Cache County Event Center 9:30 AM

Horsemanship: Cache County Indoor Arena

Four age categories: 10-11, 12-13, 14-15, 16-25

Open to girls who attend school in Cache, Box Elder, Rich and Franklin Counties

Queen will receive a trophy saddle. Winners in each category will receive a gas card, provided by Smithfield Sinclair.

Entries due on OR before May 18

NO EMAIL ENTRIES WILL BE ACCEPTED

For more information contact Trish Gibbs: gibbstrish20@gmail.com
(435) 770-1122 cell

Applications are available at
www.cachecounty.org/fair

Cache County Fair and Rodeo Jr. Princess Group 10-11

Age group is open to girls who attend school in Cache, Franklin, Rich and Box Elder Counties.

Girls must be ten or eleven on the day of the contest.

Girls will be expected to model, give a prepared speech, answer an impromptu question, and complete an interview and reining pattern below.

Modeling, speech, impromptu question and interview portions of the contest will take place at the Cache County Event Center. The contest will begin promptly at 9:30. Please arrive by 9:00 to draw your number and become familiar with the room. Girls are required to wear a western pants outfit. Vests, jackets, shirts and blouses are all acceptable so long as they are worn with pants. The same outfit will be worn for all inside portions of the contest; contestants will be allowed to change outfits for the horsemanship portion of the contest.

The speech topic will be open; it should be between two and two and a half minutes. Speeches will be judged on presentation and creativity in delivery.

One Jr. Princess will be named; she will ride with the Princess and Jr. Queen at the various functions throughout the summer. These functions include but are not limited to appearances at the Preston, Hyrum and Lewiston celebrations, TV and radio appearances, and the Cache County Fair and Rodeo August 9-12. **Anyone who wins acknowledges they will not be allowed to be involved in any other royalties for the 2023 season. Anyone who wins a contest that will interfere with her attendance to these appearances will forfeit the title and prizes.**

While representing Cache County Fair and Rodeo, girls will be dressed in proper western attire (long sleeved shirt, jeans or a knee length or longer skirt, hat, boots, and belt).

The horse rode at the contest must be the same horse used in appearances during the year, unless permission to do otherwise is granted by the contest chair. **No stallions.**

The following reining pattern will be judged for horsemanship:

Jr. Princess

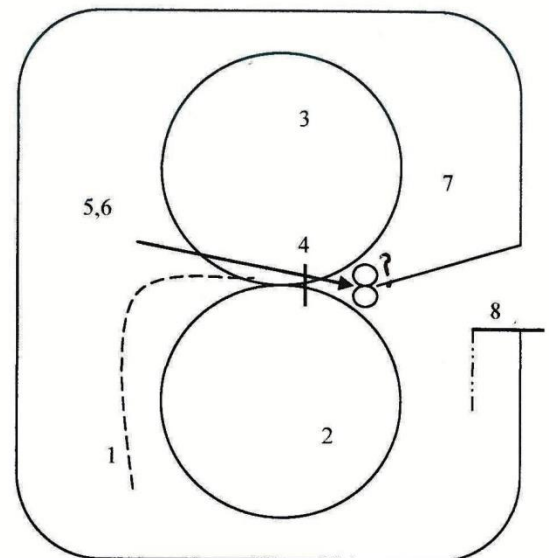
Age 10-11

Enter arena mounted

1. Walk to center of arena
2. Starting on the right lead complete a circle to the right
3. Change leads at center of arena complete circle to the left
4. Stop at center of arena
5. One spin in either direction
6. One spin in opposite direction
7. Ride forward and complete a presentation ride
8. Stop horse and back one horse length
9. Exit arena at a walk

RETURN ENTRY TO:

**Trish Gibbs
2451 West 2000 South
Lewiston, UT 84320**



Cache County Fair and Rodeo Princess Group 12-13

Age group is open to girls who attend school in Cache, Franklin, Rich and Box Elder Counties.

Girls must be twelve or thirteen on the day of the contest.

Girls will be expected to model, give a prepared speech, answer an impromptu question, and complete an interview and reining pattern below.

Modeling, speech, impromptu question and interview portions of the contest will take place at the Cache County Event Center. The contest will begin promptly at 9:30. Please arrive by 9:00 to draw your number and become familiar with the room. Girls are required to wear a western pants outfit. Vests, jackets, shirts and blouses are all acceptable so long as they are worn with pants. The same outfit will be worn for all inside portions of the contest; contestants will be allowed to change outfits for the horsemanship portion of the contest.

The speech topic will be open; it should be between two and two and a half minutes. Speeches will be judged on presentation and creativity in delivery.

One Princess will be named; she will ride with the Jr. Princess and Jr. Queen at the various functions throughout the summer. These functions include but are not limited to appearances at the Preston, Hyrum and Lewiston celebrations, TV and radio appearances, and the Cache County Fair and Rodeo August 9-12.

Anyone who wins acknowledges they will not be allowed to be involved in any other royalties for the 2023 season. Anyone who wins a contest that will interfere with her attendance to these appearances will forfeit the title and prizes.

While representing Cache County Fair and Rodeo, girls will be dressed in proper western attire (long sleeved shirt, jeans or a knee length or longer skirt, hat, boots, and belt).

The horse rode at the contest must be the same horse used in appearances during the year, unless permission to do otherwise is granted by the contest chair. **No stallions.**

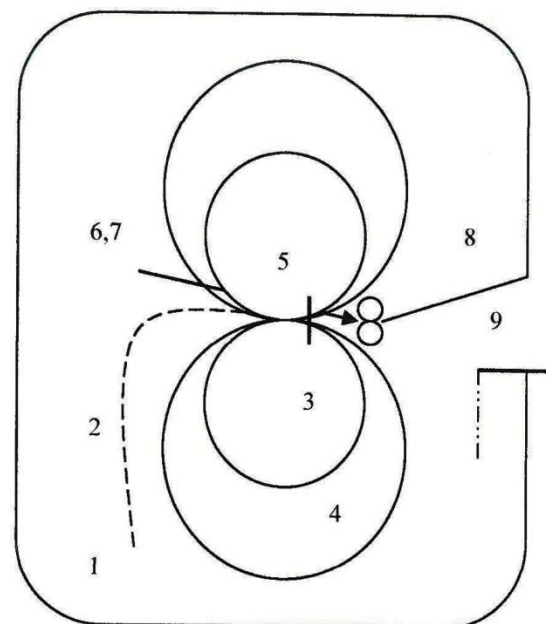
The following reining pattern will be judged for horsemanship:

Princess
Age 12-13

Enter Arena Mounted

1. Trot to center of arena
2. Starting on the right lead complete a slow small figure eight
3. Complete a large faster figure eight
4. Stop in center of arena
5. One spin in either direction
6. One spin in opposite direction
7. Ride forward and do a full presentation ride
8. Stop horse and back one horse length
9. Exit arena at walk

**RETURN ENTRY TO:
Trish Gibbs 2451 West 2000 South
Lewiston, UT 84320**



**Cache County Fair and Rodeo Jr. Queen
Age Group 14-15**

Age group is open to girls who attend school in Cache, Franklin, Rich and Box Elder Counties.

Girls must be fourteen or fifteen on the day of the contest.

Girls will be expected to model, give a prepared speech, answer an impromptu question, and complete an interview and reining pattern below.

Modeling, speech, impromptu question and interview portions of the contest will take place at the Cache County Event Center. The contest will begin promptly at 9:30. Please arrive by 9:00 to draw your number and become familiar with the room. Girls are required to wear a western pants outfit. Vests, jackets, shirts and blouses are all acceptable so long as they are worn with pants. The same outfit will be worn for all inside portions of the contest; contestants will be allowed to change outfits for the horsemanship portion of the contest.

The speech topic will be open; it should be between two and two and a half minutes. Speeches will be judged on presentation and creativity in delivery.

One Jr. Queen will be named; she will ride with the Jr. Princess and Princess at the various functions throughout the summer. These functions include but are not limited to appearances at the Preston, Hyrum and Lewiston celebrations, TV and radio appearances, and the Cache County Fair and Rodeo August 9-12. **Anyone who wins acknowledges they will not be allowed to be involved in any other royalties for the 2023 season. Anyone who wins a contest that will interfere with her attendance to these appearances will forfeit the title and prizes.**

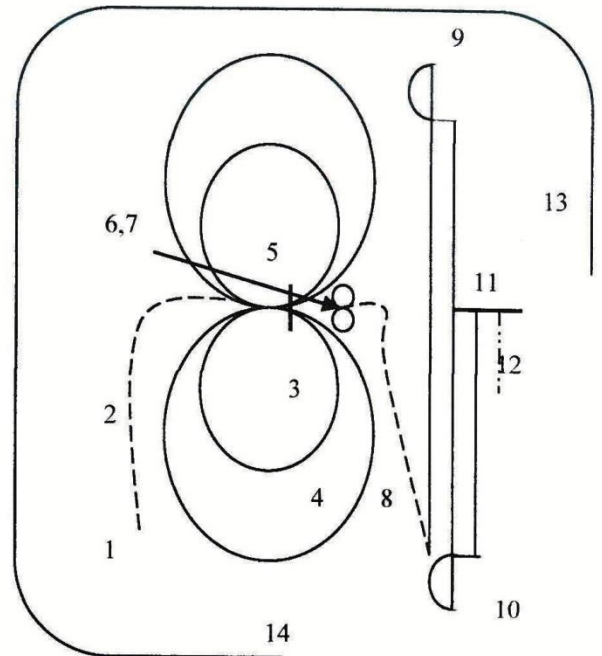
While representing Cache County Fair and Rodeo, girls will be dressed in proper western attire (long sleeved shirt, jeans or skirt, hat, boots, and belt).

The horse rode at the contest must be the same horse used in appearances during the year, unless permission to do otherwise is granted by the contest chair. **No stallions.**

The following reining pattern will be judged for horsemanship:

Jr. Queen
Age 14-15

1. Mount horse
2. Trot to center of arena
3. Starting on right lead complete a slow small figure eight
4. Complete a larger faster figure eight
5. Stop in center of arena
6. One spin in either direction
7. One spin in opposite direction
8. Trot to end of arena
9. Complete rundown and rollback to left
10. Complete rundown and rollback to right
11. Lope to center of arena stop
12. Back one horse length
13. Ride forward and complete presentation ride
14. Stop at gate
15. Dismount and exit



**RETURN ENTRY TO:
Trish Gibbs
2451 West 2000 South Lewiston, UT 84320**

**Cache County Fair and Rodeo Queen
Age Group 16-25**

Age group is open to girls who attend school in Cache, Franklin, Rich and Box Elder Counties.

Girls must be between ages of sixteen and twenty-five on the day of the contest.

Anyone who has already held the title of Cache County Rodeo Queen is not eligible.

Girls will be expected to model, give a prepared speech, answer an impromptu question, and complete an interview and reining pattern below.

Modeling, speech, impromptu question and interview portions of the contest will take place at the Cache County Event Center. The contest will begin promptly at 9:30. Please arrive by 9:00 to draw your number and become familiar with the room. Girls have the option of a pants outfit or dress for the indoor portion of the contest. Contestants will change into a different outfit for the horsemanship portion of the contest.

The speech topic will be open; it should be between two and two and a half minutes. Speeches will be judged on presentation and creativity in delivery.

One Queen and two attendants will be named; they will ride with the Jr. Princess, Princess, and Jr. Queen at the various functions throughout the summer. These functions include but are not limited to appearances at the Preston, Hyrum and Lewiston celebrations, TV and radio appearances, and the Cache County Fair and Rodeo August 9-12. **Anyone who wins acknowledges they will not be allowed to be involved in any other royalties for the 2023 season, with the exception of Miss Rodeo Utah. Anyone who wins a contest that will interfere with her attendance to these appearances will forfeit the title and prizes.**

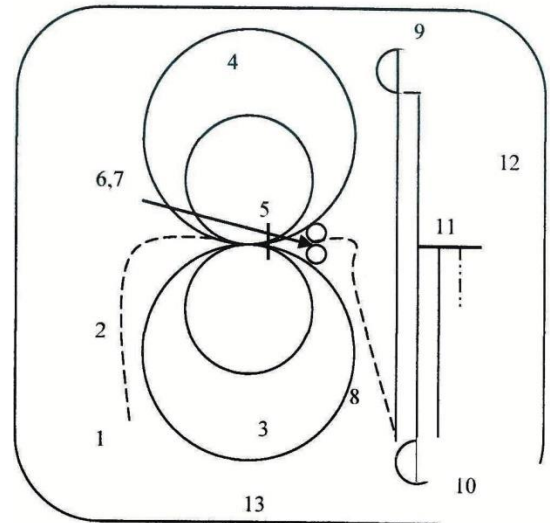
While representing Cache County Fair and Rodeo, girls will be dressed in proper western attire (long sleeved shirt, jeans or skirt, hat, boots, and belt).

The horse rode at the contest must be the same horse used in appearances during the year, unless permission to do otherwise is granted by the contest chair. **No stallions.**

The following TWO patterns will be completed on the same horse for horsemanship:

Pattern #1

1. Mount horse
2. Trot to center of arena
3. Starting on the right lead complete large fast circle, followed by a slow small circle
4. Change leads and complete a large fast circle on the left lead followed by a slow small circle
5. Stop in center of arena
6. Two spins in either direction
7. Two spins in opposite direction
8. Walk to end of arena
9. Complete run down and rollback to left
10. Complete run down and rollback to right
11. Lope to center of arena. Stop and back
12. Ride forward and complete presentation ride
13. Stop at gate
14. Dismount and exit arena



Pattern #2 Flag will provided. You will provide your own flag boot.

1. Enter arena and complete two laps on left lead around entire arena presenting flag, first lap slow, second lap fast
2. Stop at gate, exit arena

**RETURN ENTRY TO:
Trish Gibbs
2451 West 2000 South
Lewiston, UT 84320**

ENTRIES DUE MAY 18

Name _____ Age _____ Address _____

Parent Names _____ Horse Name _____

Email Address _____

Parent Cell # _____ Contestant Cell # _____

School _____

By signing and submitting this entry you attest that you have read and understand the rules for your respective age category and will adhere to these rules.

1. I will be available for the Lewiston, Hyrum, Preston and Cache County celebrations as mentioned in the rules and will not compete in other pageants or contests with the exception of high school rodeo, Miss Rodeo Utah or Miss Rodeo Idaho.
2. I will represent in full western attire (long sleeved shirt, jeans or skirt, hat, boots & belt) at all events unless otherwise discussed.
3. I have never been married or pregnant.
4. I am of good moral character and have not engaged in any act which, if made public, would be reasonably likely to cause harm or damage to my reputation or to the good will and reputation of the Cache County Fair and Rodeo.
5. I attend school in Cache, Franklin, Rich or Box Elder County.
6. **I acknowledge that violation of these rules will result in forfeiture of titles and prizes.**

Contestant Signature _____ Date _____

Parent Signature _____ Date _____

Please write an introductory paragraph in third person to be read as an introduction during horsemanship, include your hobbies, interests, academic achievements, other awards won and why you want to be Cache County Fair and Rodeo Royalty:

RETURN ENTRY TO:
Trish Gibbs 2451 West 2000 South Lewiston, UT 84320

Questions
gibbstrish20@gmail.com
(435) 770-1122